

VHF/UHF S65-111-310



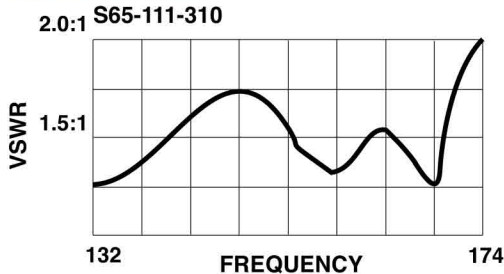
DESCRIPTION

U.S. Patent No. 3,220,006

S65-111-310: Dual frequency VHF/UHF range. All metal, DC grounded to provide lightning protection. Low drag. Extremely rugged. Provides high degree of structural rigidity and protection from rain erosion and sand/gravel abrasion. Eliminates "P" static. Hermetically sealed. Interchangeable with Collins 37R-2U.

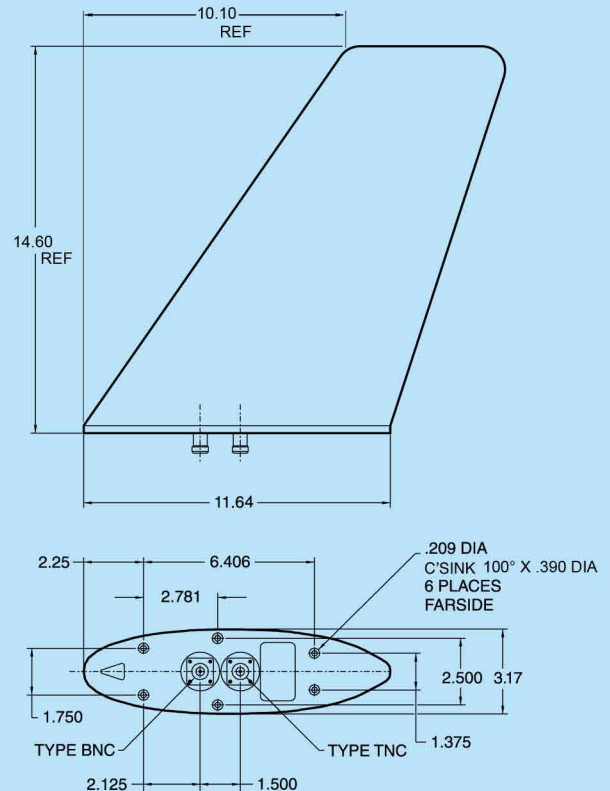
FEDERAL & MILITARY SPECS: FAA TSO C37b, C38b & C59, MIL-E-5400, MIL-E-5272C, MIL-A-7772B (ASG), MIL-A-6271A, MIL-A-9094C.

PERFORMANCE



SPECIFICATIONS		
MODELS	S65-111-310	
ELECTRICAL	UHF	VHF
Frequency	225 - 400 MHz	132 - 174 MHz
VSWR	2.6:1	2.0:1
Pattern	Omnidirectional in Azimuth Cosinusoidal in Elevation	
Polarization	Vertical	
Impedance	50 ohms	
Power	100 Watts Continuous	
Isolation	≥ 20 dB	
Lightning Protection	DC grounded	
MECHANICAL		
Weight	4.2 lbs.	
Height	14.6 in.	
Material	A356-T61 Aluminum Alloy Casting	
Finish	Skydrol Resistant Polyurethane Enamel	
Connector	UHF Female TNC	VHF Female BNC
Drag	2.5 lbs. Mach .85 @ 35,000 ft.	
ENVIRONMENTAL		
Temperature	-40°C (-40°F) to +85°C (+185°F)	
Altitude	60,000 ft.	

S65-111-310



Note: Prior to installation, contact Sensor Systems for the latest engineering drawings.

Doc # DS S65-111-310_J, 08042015: MRKT **JC** ENG **RC** QC **DJ**



Sensor Systems, Inc. 8929 Fullbright Ave., Chatsworth, CA 91311 Ph: 818-341-5366 Fax: 818-341-9059

Email: productinfo@sensorantennas.com www.sensorantennas.com